

PIEZORESISTIVE OEM CAPSULE

SERIES 6 / SERIES 6T

FOR SEALED GAUGE AND VENTED GAUGE PRESSURES

The Series 6 capsules are of all welded stainless steel construction, with integral media isolation diaphragm. No 'O'ring seals are used.

The Series 6 uses a silicon TAB sensor mounted in the oil filled stainless steel capsule, providing a highly stable measuring cell with negligible hysteresis, high output signal and a life of millions of pressure cycles.

TAB (Tape Automated Bonding) is a flexible printed circuit system for interconnection between the silicon sensor and the capsule output pins, offering improved reliability and significantly lower production costs.

Series 6 is a low cost sensor for OEM use, tested for function only, with no calibration data supplied. Series 6T is supplied tested, with calibration certificate: Linearity, sensitivity, zero point, temperature coefficients 0...50°C and compensation resistor values (resistors not supplied).

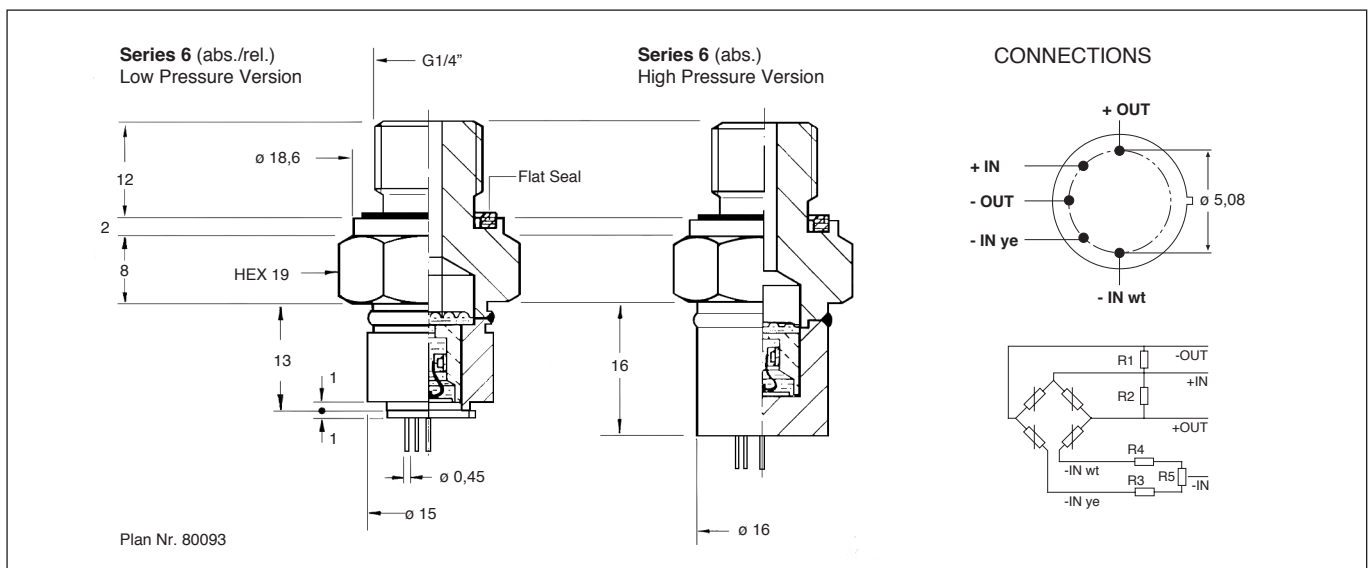
SPECIFICATIONS

(at 4 mA excitation)

	Pressure Ranges (FS)				
Sealed Gauge (Low Pressure)	10	20	50	100	200 bar
Overpressure	15	30	75	150	300 bar
Sealed Gauge (High Pressure)	400	600			bar
Overpressure	600	900			bar
Vented Gauge	10	20			bar
Overpressure	15	30			bar

Excitation	0,5...5 mA constant current	
Signal Output (FS)	600...1000 mV @ 4 mA	
Bridge Resistance	3,5 kΩ nominal	
Zero Offset	≤ ±20 mV typ.	≤ ±100 mV max.
Linearity (incl. Hysteresis)	≤ ±0,25% FS typ.	≤ ± 0,50% FS max.
Stability	≤ ±0,10% FS typ.	≤ ± 0,20% FS max.
Operating Temperature	-10...80°C	
Temperature-Coefficients of...		
- Zero:	≤ ±0,01% FS/K typ.	≤ ±0,05% FS/K max.
- Sensitivity:	≤ ±0,01%/K typ.	≤ ±0,04%/K max.

Materials Diaphragm AiSi 316L Housing 1.4435



Subject to alterations

11/99